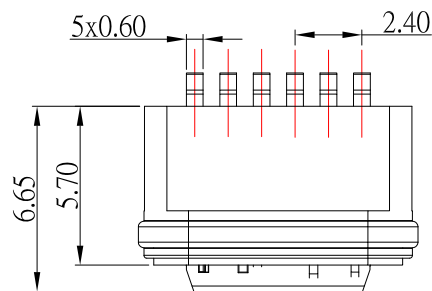


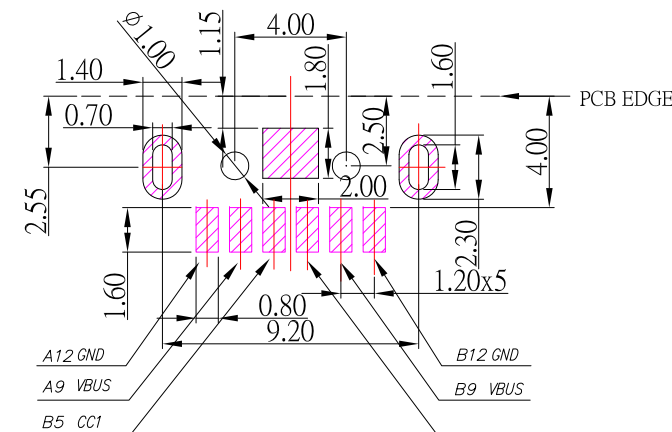
IPX7



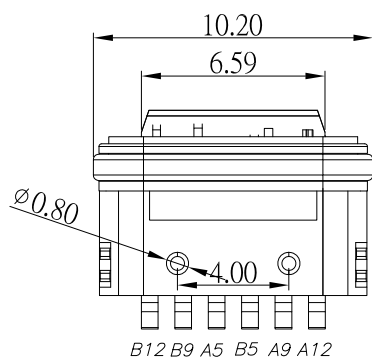
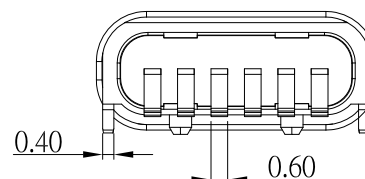
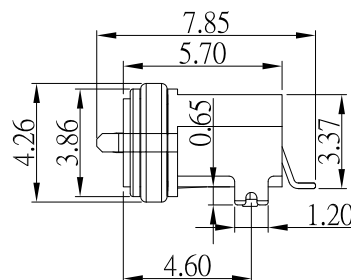
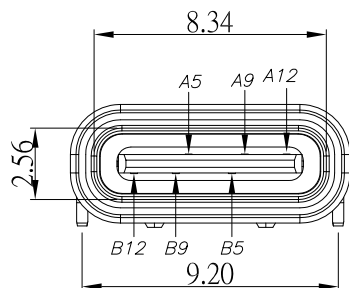
SBC-WP060S1-20x-S347

鍍層厚度:

Blank	: 1u"
2	: 15u"
3	: 30u"



P.C.B LAYOUT MOUNTING PATTERN



A5	CC1	B12	GND
A9	VBUS	B9	VBUS
A12	GND	B5	CC2
PIN	SIGNAL NAME	PIN	SIGNAL NAME

SPECIFICATIONS

Electrical:

- Rating: 3.0A
- Contact Resistance: 40 mΩ Max
- Insulation Resistance: 100 MΩ Min
- Dielectric Withstanding Voltage: 100V AC

Mechanical:

- Connector Mate and Unmate Force
 - Mate force: 5~20 N
 - Unmate force: 8~20 N

Material:

- Housing: LCP
- Contact: Phosphor Bronze
- Shell: Zinc Alloy
- O-Ring: Epoxy

Finish:

- Contact: Plated Gold in Mating Area ;
Gold Plated on Solder Balls ;
Nickel under plated overall
- Shell: Nickel under Plated surface layer

3	更新圖面	Jack	082222
2	更新接腳編號位置及名稱	Jack	051520
1	新增 PCB LAYOUT接腳編號	Jack	031820
ITEM NO.	DESCRIPTION	DRAWN	DATE

CONTACT 建倚科技股份有限公司
CONTACT TECHNOLOGY CORP.

TOLERANCE UNLESS OTHERWISE STATED:

Up to 5	±0.2
Above 5 ~ 15	±0.3
Above 15 ~ 30	±0.4
Above 30 ~ 50	±0.5
Angle	±0.3°

3RD. ANGEL'S



UNITS

MM

DRAWN BY:	DATE	MAT'L	TITLE	CONNECTOR
Jack Lu	08/22/22			
CHECKED BY:	DATE	FINISH	MODLE	USB C TYPE 2.0 Female 防水型
Jacky Chen	08/22/22			
APPROVED BY:	DATE	SCALE	DWG NO.	SBC-WP060S1-20x-S347
Tony Kao	08/22/22	1 : 1		
		SHEET NO.	PART NO.	SBC-WP060S1-20x-S347
		1 of 1		
			SIZE	A4
			VER	R3